

Department of Engineering
Tim Bryan, P.E., PTOE, County Engineer

3137 South Liberty Street, Canton, MS 39046
Office (601) 855-5582 FAX (601) 859-5857

MEMORANDUM

September 25, 2024

To: Casey Brannon, Supervisor, District I
Trey Baxter, Supervisor, District II
Gerald Steen, Supervisor, District III
Karl Banks, Supervisor, District IV
Paul Griffin, Supervisor, District V

From: Tim Bryan, P.E., PTOE
County Engineer

Re: AT&T Utility Permit
County Road Name, Loring Road

The Engineering Department recommends approval for AT&T Utility Permit to bore cable south under Loring Road. Then, bore cable west to pole on east side of bridge for Stantec to replace bridge.

responsibility of the Applicant Utility to acquire an easement for their Facilities from the applicable property owner(s). Madison County in no way verifies the limits of Right-of-Way as shown on the permit application.

The Applicant Utility shall be responsible for all future maintenance and repair of the facilities installed under this permit. The Applicant Utility shall make future adjustments to, or relocate, the facilities located within road or highway right-of-way when required for road or highway widening or other road or highway construction at no cost to Madison County. The Applicant Utility shall relocate said utilities within sixty (60) days of notification by County by registered mail, return receipt requested, unless otherwise designated by the County Engineer. Further, any maintenance, repair, or construction shall be done in such a manner as to occasion no unreasonable interference with the normal flow and safety to traffic and at the expense of the utility company. When reasonable care has been taken to locate said utility facilities within the right-of-way, the Applicant Utility understands that any damages caused by routine maintenance and construction by County forces shall be borne by the Applicant Utility.

The Applicant Utility further agrees to indemnify and hold Madison County harmless for any and all claims, accidents, damages, liabilities and expenses occasioned wholly, or in part, by any act or omission of applicant, its agents or employees. In case County shall, without fault on its own part, be made a party to any litigation commenced by or against applicant, then applicant shall protect and hold County harmless, and shall pay all costs, expenses and reasonable attorney's fees incurred or paid by County in connection with said litigation.

All underground facilities shall be installed at a depth equal to or greater than 48" below the lowest adjacent grade.

All pipes carrying liquid shall be encased under County maintained roads.

WITNESS the signature of the Applicant this the _____ day of _____, 20_____.

By: DONNA E MALLER
(Applicant Signature)

Title: _____

Note: *Applicant must be an employee of the Utility named in this application. The Madison County Board of Supervisors will not recognize a Contractor, Subcontractor, Agent, or Consulting Engineer as the Applicant. Utility Company shall be fully responsible for all work performed under this application.*

I, or my authorized representative, have reviewed this application and determined that the drawing, sketches, and plans submitted by the Applicant meet the requirements of *A Policy for The Accommodation of Utility Facilities within the Right-of-Way of all Public County Roads.*

APPROVED
By *timothy.bryan at 9:14 am, Oct 02, 2024*

Tim Bryan, P.E.
County Engineer

AGREED TO AND APPROVED BY:

Madison County Board President

Date: _____

ENTERED INTO THE MINUTES OF THE BOARD OF SUPERVISORS OF MADISON COUNTY, MISSISSIPPI ON THIS

_____ DAY OF _____, 20_____.

Appendix 1

County Road Name: _____
Beginning Location: _____ Ending Location: _____
Length of Project: _____ Section: _____ Township: _____ Range: _____
Description of Work: _____

County Road Name: _____
Beginning Location: _____ Ending Location: _____
Length of Project: _____ Section: _____ Township: _____ Range: _____
Description of Work: _____

County Road Name: _____
Beginning Location: _____ Ending Location: _____
Length of Project: _____ Section: _____ Township: _____ Range: _____
Description of Work: _____

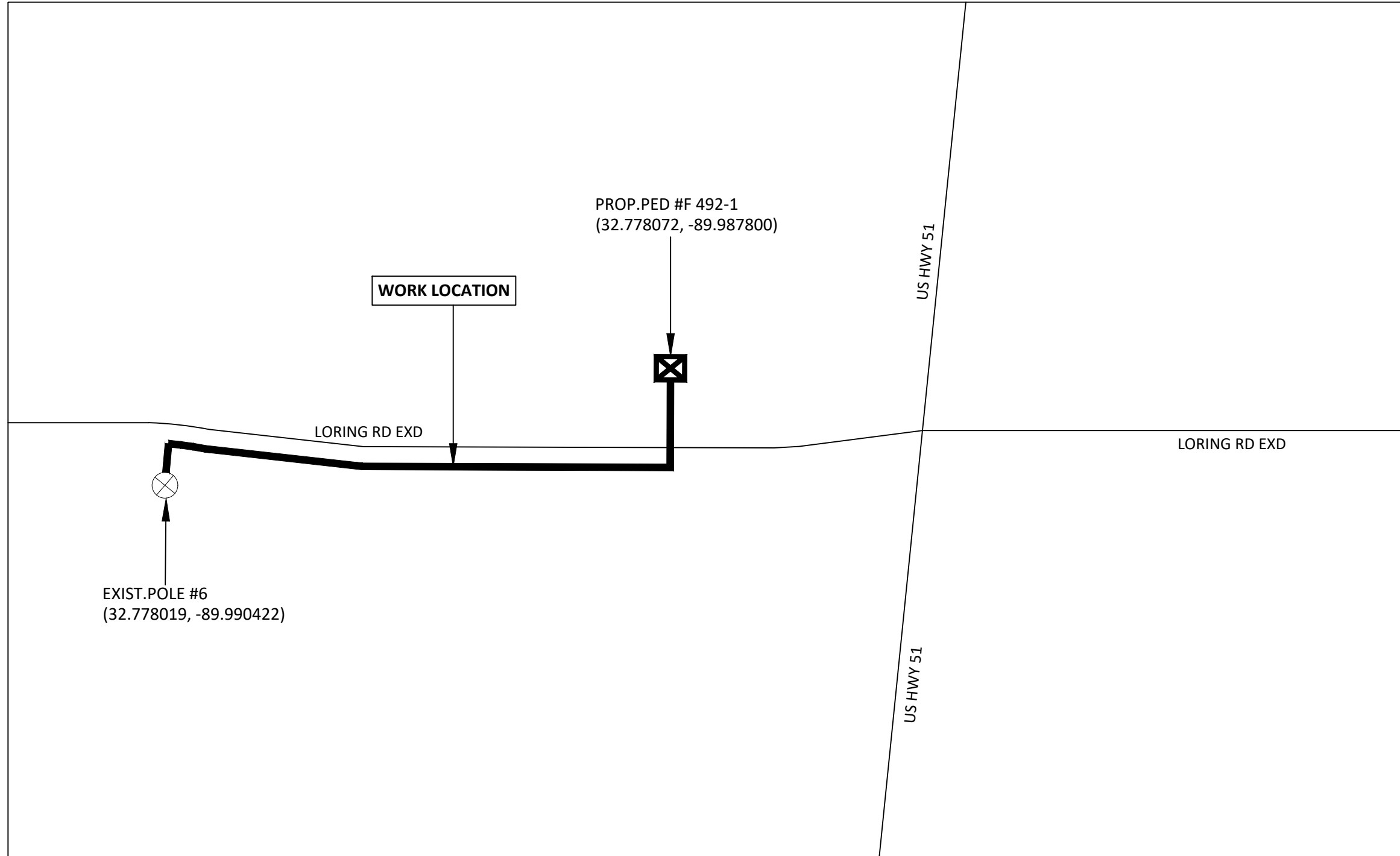
County Road Name: _____
Beginning Location: _____ Ending Location: _____
Length of Project: _____ Section: _____ Township: _____ Range: _____
Description of Work: _____

County Road Name: _____
Beginning Location: _____ Ending Location: _____
Length of Project: _____ Section: _____ Township: _____ Range: _____
Description of Work: _____

WORK ADDRESS :
437 LORING RD, PICKENS, MS 39146
MADISON COUNTY



| ISSUE | DATE |
|-------|------------|
| 0 | 09/12/2024 |



THIS JOB WAS ENGINEERED AND DRAWN BY DEBAYAN OF AMDOCS UNDER CONTRACT TO AT&T. FOR QUESTIONS AND ASSISTANCE ON THIS JOB PLEASE CALL ENGINEER AS NOTED IN TITLE BOX.

ATTSE

PROPOSED TELEPHONE FACILITIES
 ON RIGHT OF WAY OF
 MADISON COUNTY

437 LORING RD

| | |
|----------------|----------------|
| Wire Center: | CNTNMSMA |
| Designer: | MILLER, DONNIE |
| Phone: | 769-229-3566 |
| Authorization: | A050G5P |

Dwg. 1 of 3

CALL BEFORE YOU DIG



TWO FULL BUS. DAYS BEFORE YOU DIG

IT IS THE CONTRACTORS RESPONSIBILITY TO CONTACT UTILITY COMPANIES PRIOR TO ANY CONSTRUCTION AS THE LOCATION OF UTILITIES SHOWN ON THIS PLAN ARE APPROXIMATE AND POSSIBLY INCOMPLETE. THEREFORE CERTIFICATION TO THE LOCATION OF ALL UNDERGROUND UTILITIES IS WITHHELD.

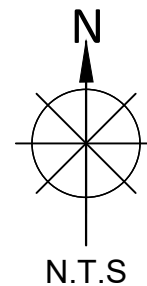
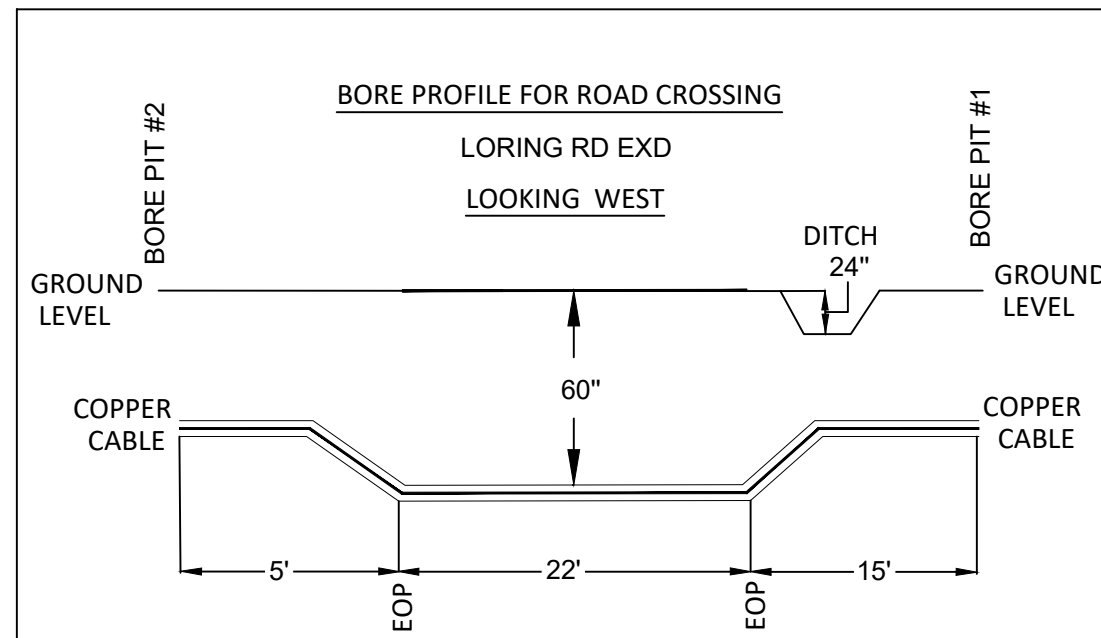
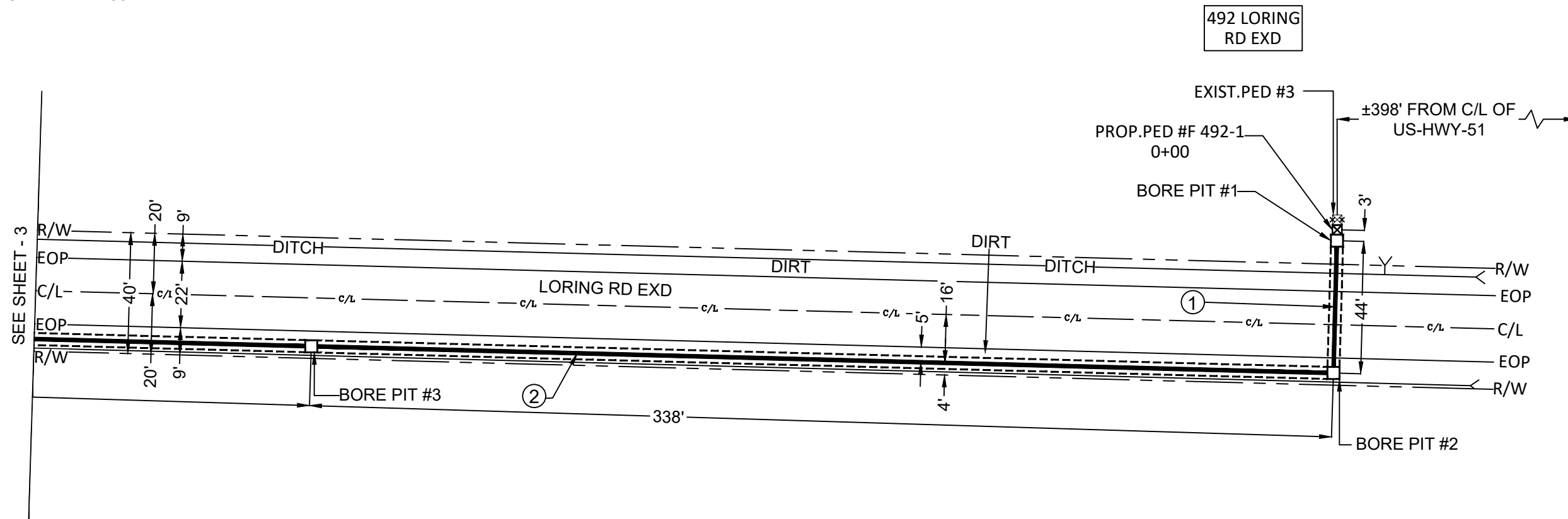


| | |
|-------|------------|
| ISSUE | DATE |
| 0 | 09/12/2024 |

PLACEMENT CALLOUTS:

- ① PROPOSED ANAW-25 COPPER CABLE VIA D-BORE AT MIN 60" DEPTH.
- ② PROPOSED ANAW-25 COPPER CABLE VIA D-BORE AT MIN 36" DEPTH.

| LEGEND | |
|--------|------------------|
| | BORE |
| | EXIST. POLE |
| | REMOVED PED |
| | RIGHT OF WAY |
| | EDGE OF PAVEMENT |
| | CENTERLINE |
| | FENCE LINE |
| | PROPOSED PED |
| | CULVERT |
| | BORE PIT |



NOTE: WORK SHOWN BEYOND R/W JUST FOR REFERENCE.

NOTE: BACKFILL & RESTORE THE DIRT SURFACES AS PER COUNTY STANDARDS.

CALL BEFORE YOU DIG

MISSISSIPPI
DIAL 811 or
1-800-432-4770
www.call811.com

TWO FULL BUS. DAYS BEFORE YOU DIG

IT IS THE CONTRACTOR'S RESPONSIBILITY TO CONTACT UTILITY COMPANIES PRIOR TO ANY CONSTRUCTION AS THE LOCATION OF UTILITIES SHOWN ON THIS PLAN ARE APPROXIMATE AND POSSIBLY INCOMPLETE. THEREFORE, CERTIFICATION TO THE LOCATION OF ALL UNDERGROUND UTILITIES IS WITHHELD.

| | |
|---|----------------|
| ATTSE | |
| PROPOSED TELEPHONE FACILITIES ON RIGHT OF WAY OF MADISON COUNTY | |
| 437 LORING RD | |
| Wire Center: | CNTNMSMA |
| Designer: | MILLER, DONNIE |
| Phone: | 769-229-3566 |
| Authorization: | A050G5P |
| Dwg. | 2 of 3 |

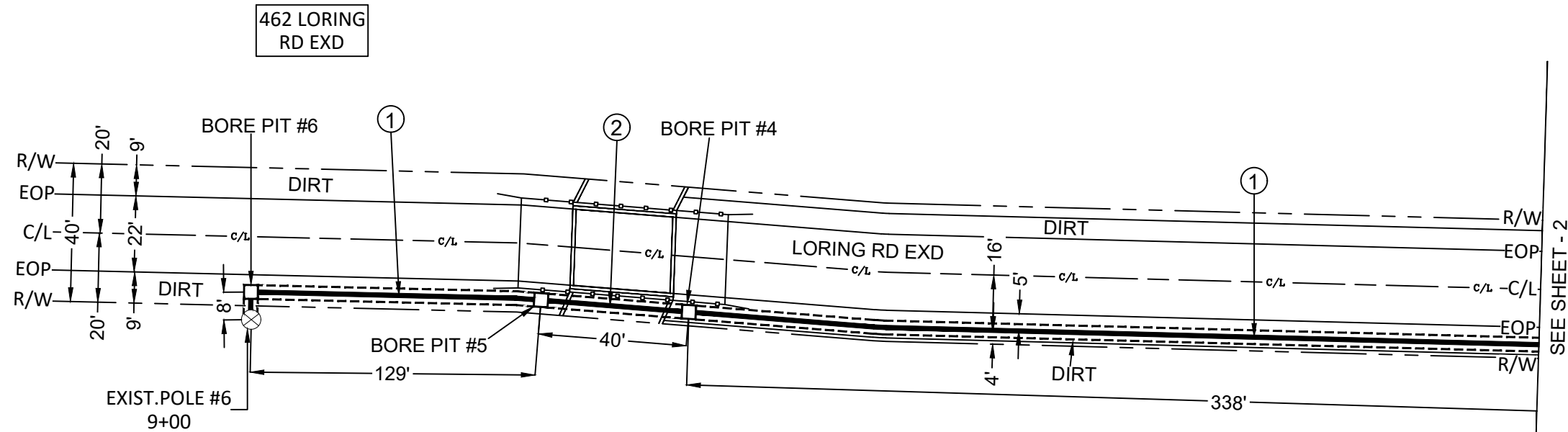


| | |
|-------|------------|
| ISSUE | DATE |
| 0 | 09/12/2024 |

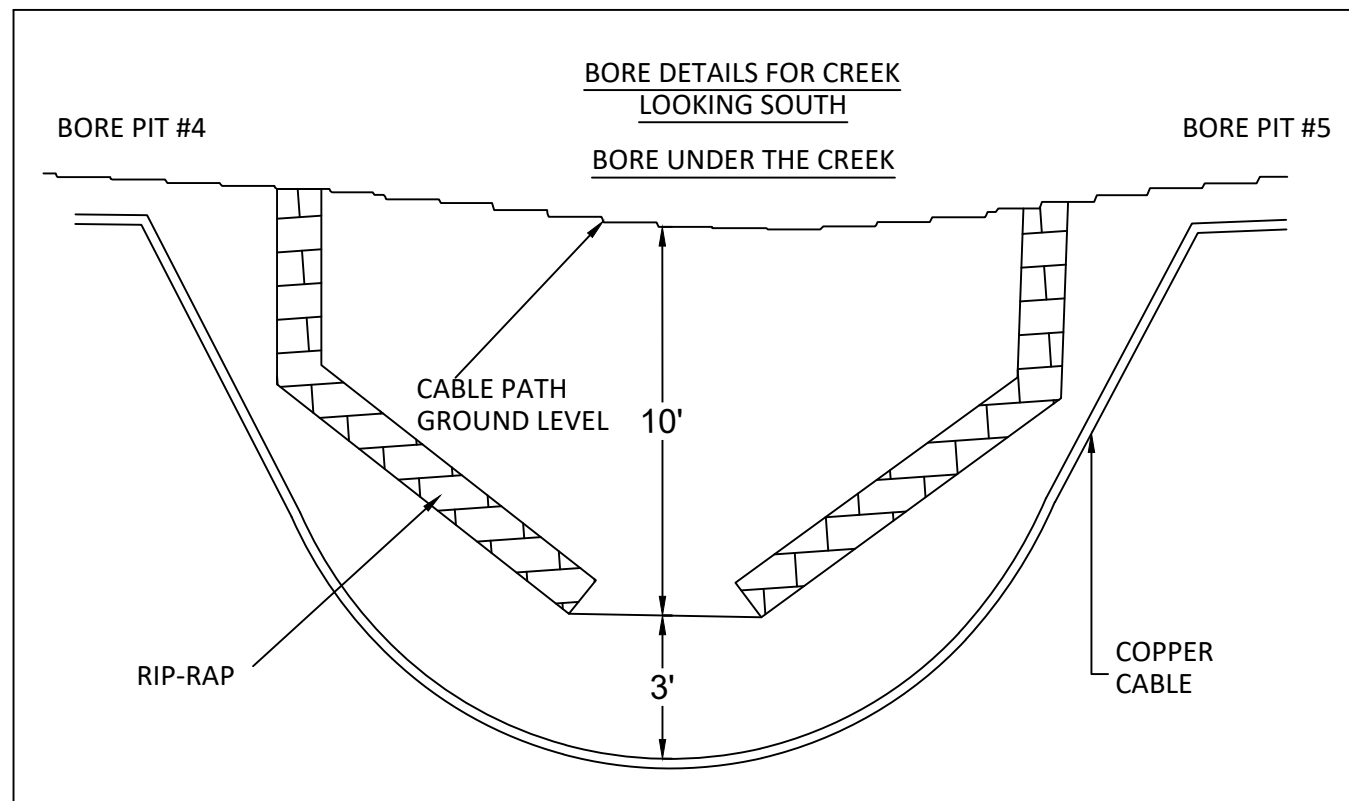
PLACEMENT CALLOUTS:

- ① PROPOSED ANAW-25 COPPER CABLE VIA D-BORE AT MIN 36" DEPTH.
- ② PROPOSED ANAW-25 COPPER CABLE VIA D-BORE AT MIN 13' DEPTH.

| LEGEND | |
|--------|------------------|
| | BORE |
| | EXIST. POLE |
| | REMOVED PED |
| | RIGHT OF WAY |
| | EDGE OF PAVEMENT |
| | CENTERLINE |
| | FENCE LINE |
| | PROPOSED PED |
| | CULVERT |
| | BORE PIT |

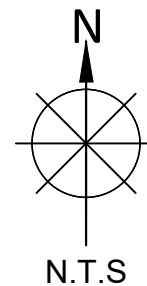


SEE SHEET - 2



NOTE: BACKFILL & RESTORE THE DIRT SURFACES AS PER COUNTY STANDARDS.

NOTE: WORK SHOWING BEYOND R/W JUST FOR REFERENCE.



ATTSE

PROPOSED TELEPHONE FACILITIES
ON RIGHT OF WAY OF
MADISON COUNTY
437 LORING RD

Wire Center:
CNTNMSMA

Designer:
MILLER, DONNIE

Phone:
769-229-3566

Authorization:
A050G5P

Dwg. 3 of 3

CALL BEFORE YOU DIG



MISSISSIPPI
DIAL 811 or
1-800-432-4770
www.call811.com

TWO FULL BUS. DAYS BEFORE YOU DIG

IT IS THE CONTRACTOR'S RESPONSIBILITY TO CONTACT UTILITY COMPANIES PRIOR TO ANY CONSTRUCTION AS THE LOCATION OF UTILITIES SHOWN ON THIS PLAN ARE APPROXIMATE AND POSSIBLY INCOMPLETE. THEREFORE, CERTIFICATION TO THE LOCATION OF ALL UNDERGROUND UTILITIES IS WITHHELD.